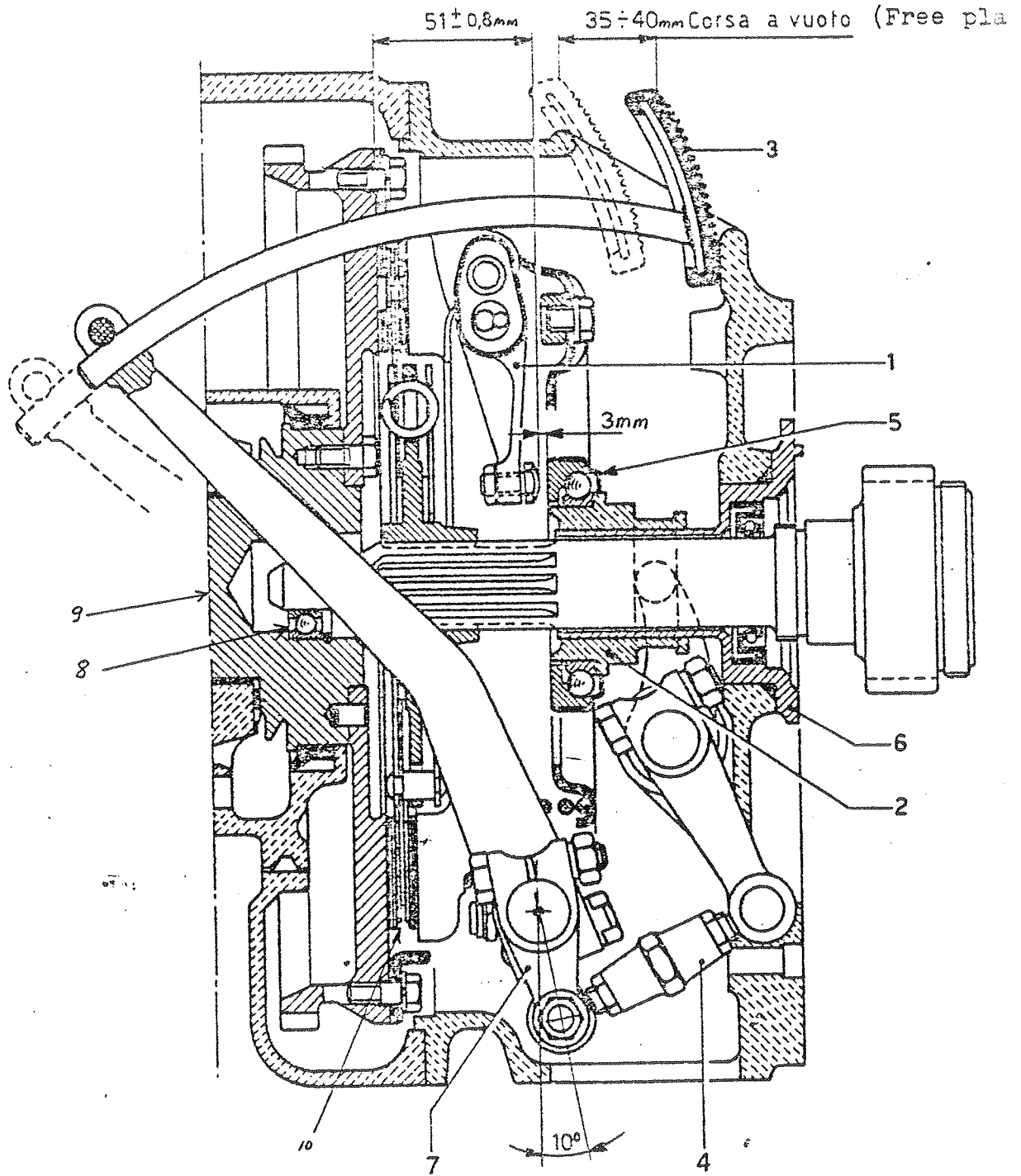


Ferrari

2.13. RIFF 55
FRIZIONE (CLUTCH)



1. Activating Fingers

2. Sleeve

3. Clutch Pedal

4. Pedal Free Play Adjustment

5. Throw Out Bearing

6. Bellhousing

7. Link

8. Pilot Bearing (SKF6202)

9. Crankshaft

10. Clutch Disc

RIFF-55