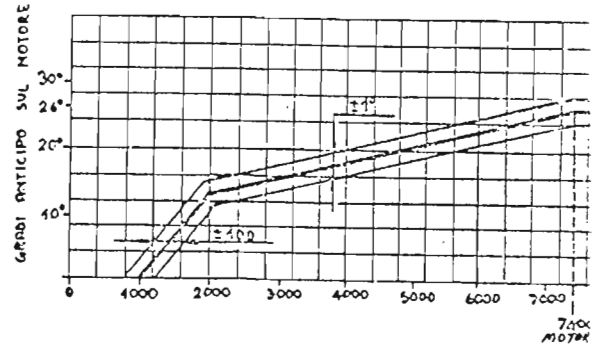
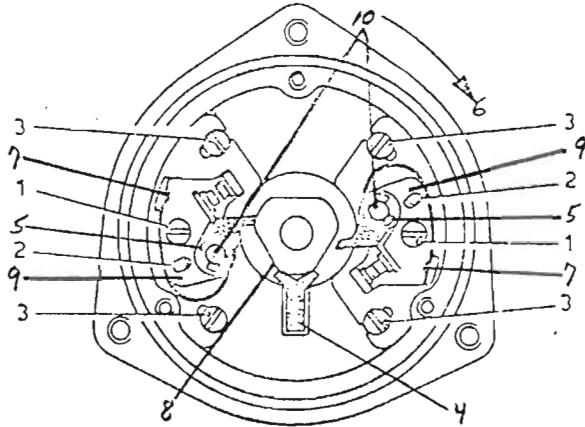


1.11. RIFF 19

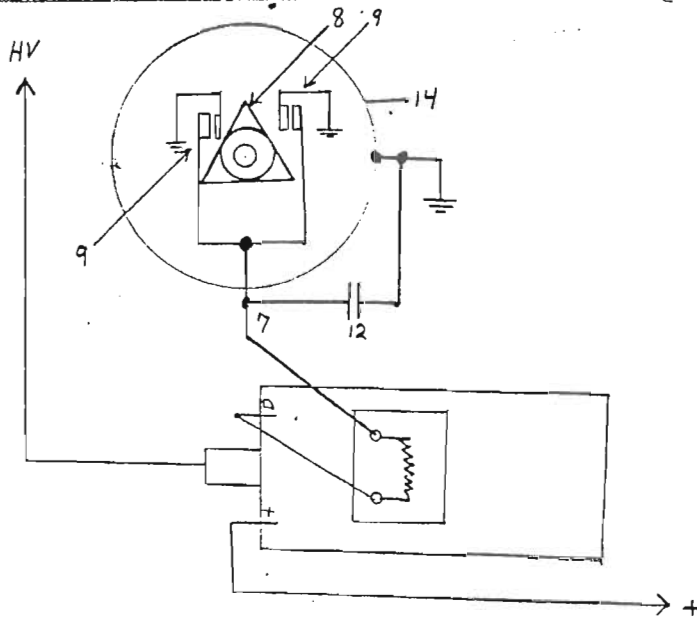
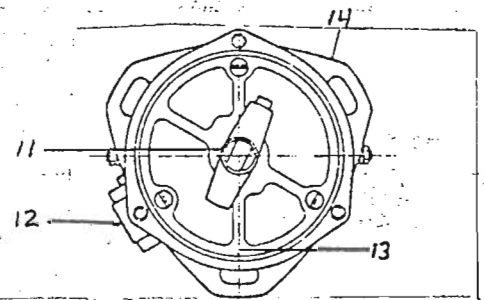
DISTRIBUTOR

Description: Magneti-Marelli S35A Series.



- |                                 |                               |
|---------------------------------|-------------------------------|
| 1. Gap Adjusting Screw          | 8. Cam                        |
| 2. Pivot for Gap Adj.           | 9. Replaceable Point Assembly |
| 3. Synchronizing Screw          | 10. Stationary Post           |
| 4. Lube Wiper                   | 11. Rotor                     |
| 5. Circ Ring for Points Removal | 12. Capacitor                 |
| 6. Direction of Rotation        | 13. Bearing Support           |
| 7. Connection to Coil           | 14. Base                      |

Point Gap .014"  
 Capacitor .18MFD  
 Points 4.71.0071.02



RIFF-19